

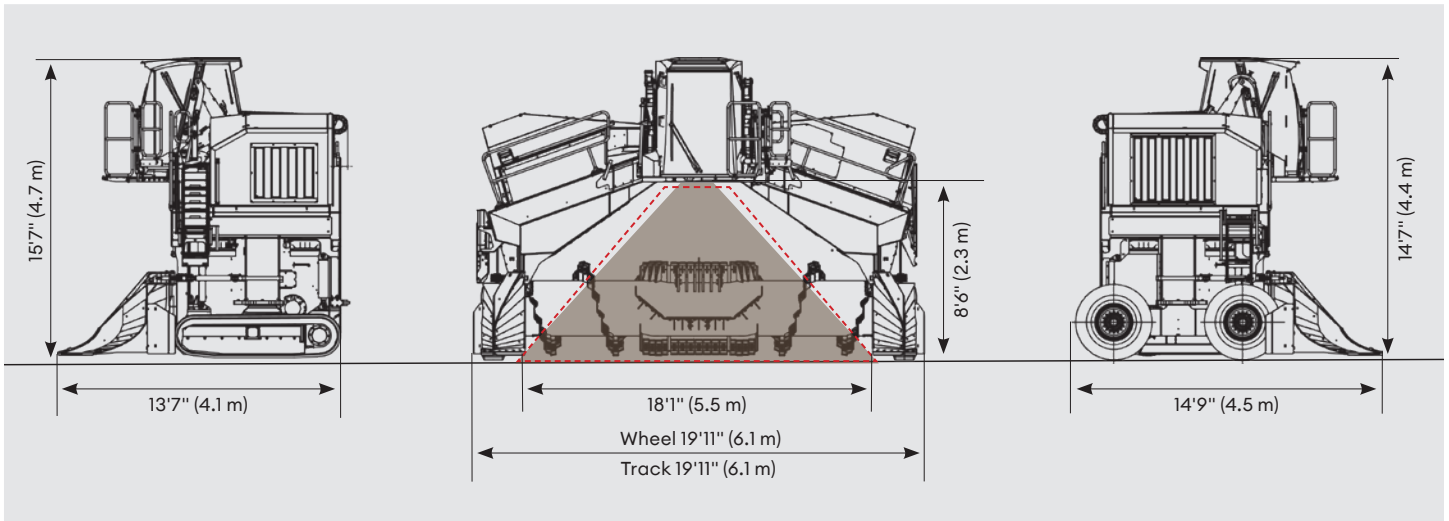
TOPTURN X5500

Compost Windrow Turner



The Topturn X5500 is the latest in the Komptech line of modern compost windrow turners. With a sturdy, buckle-resistant frame design, a powerful CAT® C9.3B Tier 4F/Stage V engine and 375 HP delivers consistent, high-performance production for mid to large-scale commercial composting operations. The hydraulically extended maintenance platform enables quick maintenance access.

- ▶ Efficiently mix and pile green waste, food waste, manure, and biosolids
- ▶ Build optimally-structured windrow piles to optimize temperatures and reduce composting times
- ▶ Reduce the space and time needed to produce clean, odor-free, high-value compost products



TOPTURN X6000 Technical Specifications

Power

Diesel Engine / Horsepower: CAT® C9.3B Tier 4 Final/ 375 HP

Proportion (dependent on equipment)

Transport Dimensions:
 Wheel - 19'5" x 9'10" x 12'1" (5.9 x 3.0 x 3.7 m)
 Track - 19'6" x 8'4" x 12'0" (5.9 x 2.6 x 3.7 m)

Working Dimensions:
 Wheel - 19'11" x 14'9" x 14'7" (6.1 x 4.5 x 4.4 m)
 Track - 19'11" x 13'7" x 15'7" (6.1 x 4.1 x 4.7 m)

Weight: -36,000 lbs (Wheel) / -37,000 lbs (Track)

Performance (dependent on material)

Maximum Windrow Width: 18'1" (5.5 m)

Maximum Windrow Height: 8'6" (2.6 m)

Maximum Throughput: up to 5,800 yd³/hr (4,400 m³/hr)